

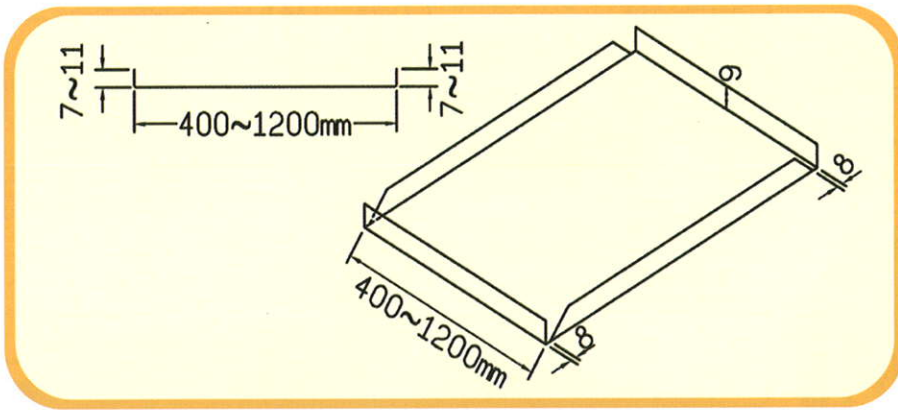
可調整折角機

ADJUSTABLE SIDE FOLDING MACHINE

Model//CHJ-AJ-03

此機型完全電腦化，可以自動調整滾輪位置以成型不同寬度的圖形。您只需要在控制箱輸入寬度，電腦便會調整滾輪到正確位置，且調整過程只需 2~3 分鐘，是您最佳的選擇。

This machine is fully computerized and special designed for various widths. All you need is just key in width and press the control button and then machine will automatically adjust the rollers according to your requirement. The time during adjusting process is around 2~3 minutes without changing rollers.



鐵板厚度 SHEET THICKNESS	0.4~0.8mm
成型速度 FORMING SPEED	10~15m PER MINUTE
輪模軸徑 SHAFT DIAMETER	60
輪模段數 ROLLER STATIONS	8
動力馬達 MOTOR OUTPUT	20~30hp
全長 X 全寬 LENGTH X WIDTH	5M X 2.1M
料架載重 UNCOILER	8 Tons

● CHJ-AJ-03

